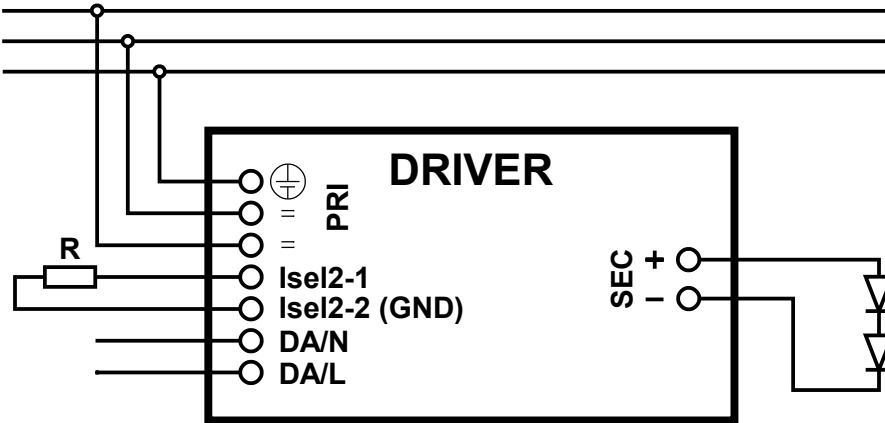


Installation / wiring

● Circuit diagram

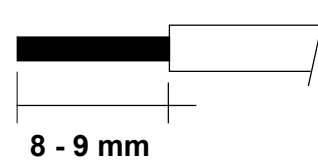
220-240 V
0/50/60 Hz



- Wiring type and cross section
Solid wire with a cross section of 0.5 - 1.5 mm². Strip 8 - 9 mm

LED module/LED Driver/supply

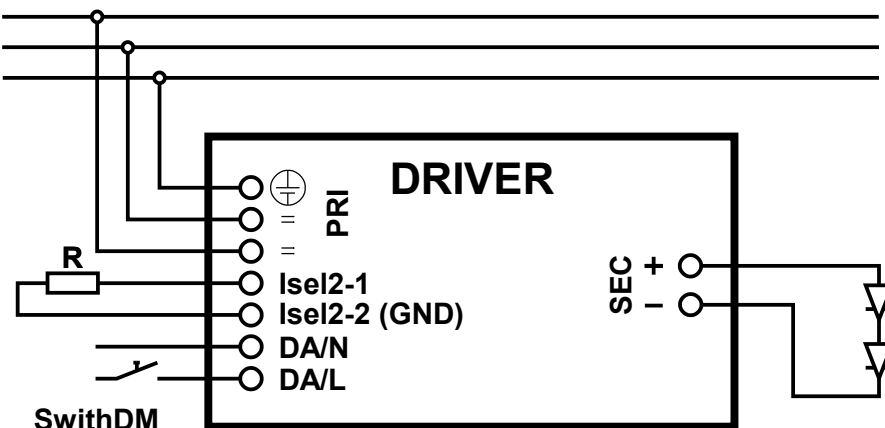
Wire préparation
05 - 1.5 mm²



Installation / wiring

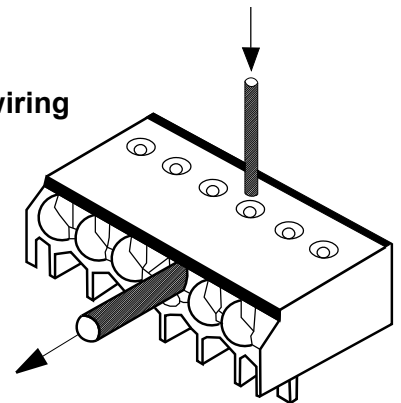
Circuit diagram

220-240 V
0/50/60 Hz



SwitchDM
220 - 240 V
50/60 Hz

- Loose wiring



Loosen wire through twisting and pulling or using a D1 mm release tool



IP20 SELV

